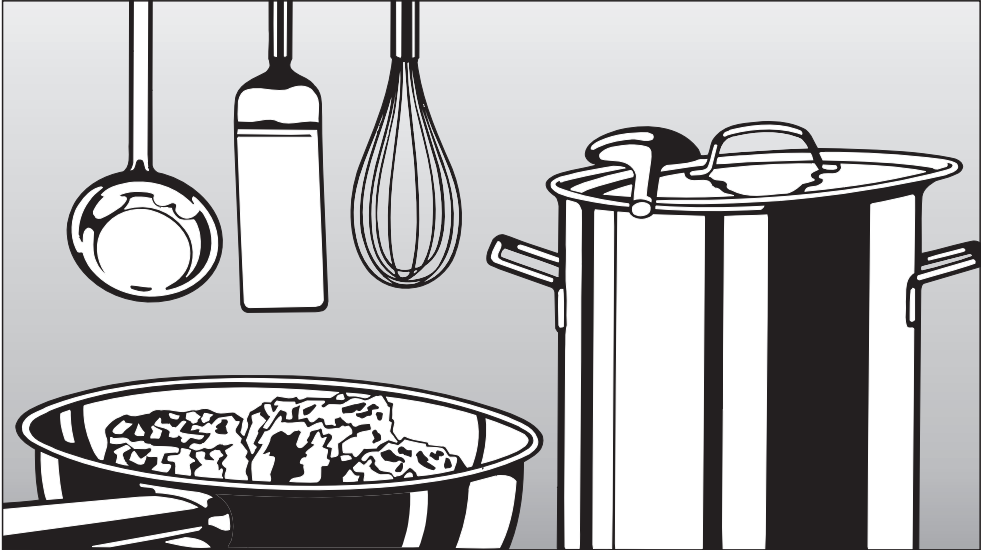


Miele

Operating and Installation instructions



Ceramic Cooktop with induction KM 6310 KM 6344

To prevent accidents and
appliance damage,
read these instructions

before

installation or use.

en - CA

M.-Nr. 09 166 590

Safety instructions for installation

The appliance must be installed by a qualified professional and connected to the electric power supply by a qualified electrician.

The cabinet and the hood above the cooktop must be installed before the cooktop to avoid damaging it.

▶ The countertop must be heat-resistant (up to 100°C), so that it does not become deformed or the veneer detached.

The wall strips must be heat-resistant as well.

▶ The cooktop must not be installed above refrigerators/freezers, dishwashers or washer/dryers.

▶ This cooktop must not be installed above a stove or oven unless they have a built-in cooling fan.

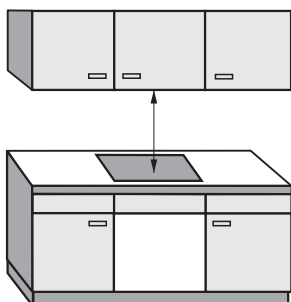
▶ Ensure that the electrical supply cable for the cooktop cannot touch the floor panel after installation nor be subject to any mechanical strain.

▶ Be sure to observe the safety clearances listed on the following pages.

All measurements are given in mm.

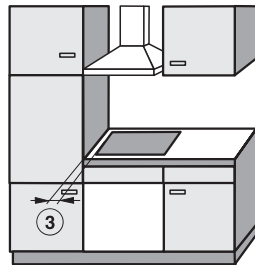
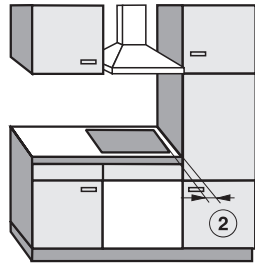
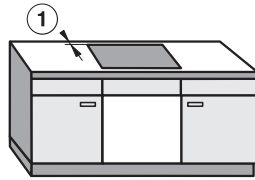
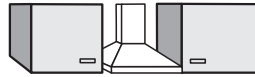
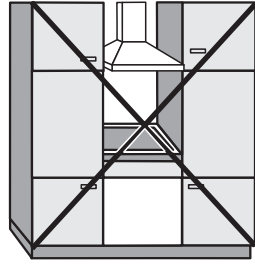
Safety instructions for installation

Clearance above the cooktop



If there is more than one appliance installed below the exhaust hood, each with a different safety clearance, the largest clearance must be used.

For an exhaust hood above the cooktop, always use the clearance specified by the hood manufacturer. If there are no specifications from the hood manufacturer or if flammable materials (e.g. a utensil rail) are installed above the cooktop, the clearance must be at least 760 mm.



Safety instructions for installation

Minimum clearance underneath the cooktop

To ensure proper ventilation of the cooktop, a minimum clearance is required between the appliance and an oven, protective base, or drawer.

The minimum clearance from the bottom of the cooktop to

- the top of the **oven** must be **15 mm**.
- the top of the **protective base** must be **15 mm**.
- bottom of the **drawer** must be **75 mm**.

Protective base

Installation of a protective base under the cooktop is allowed but not required.

A gap of 10 mm at the back is required for the power supply cable.

For better cooling of the cooktop, we recommend a gap of 20 mm at the front.

Safety instructions for installation

Safety clearance to a wall covering

A safety clearance must be maintained between the countertop cut-out and any wall covering to protect it from heat damage.

If the covering is made of a **combustible material** (e.g. wood), a safety clearance ⑤ of 50 mm must be maintained between the cut-out and the covering.

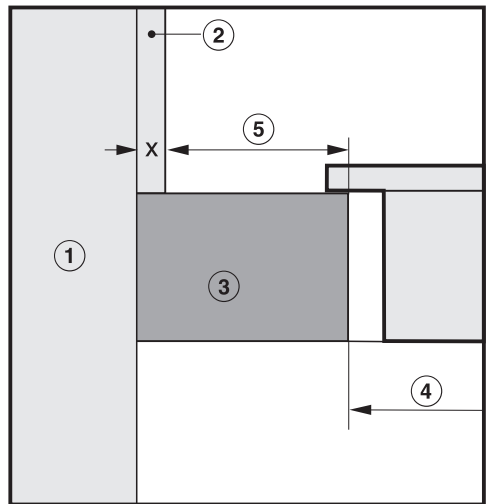
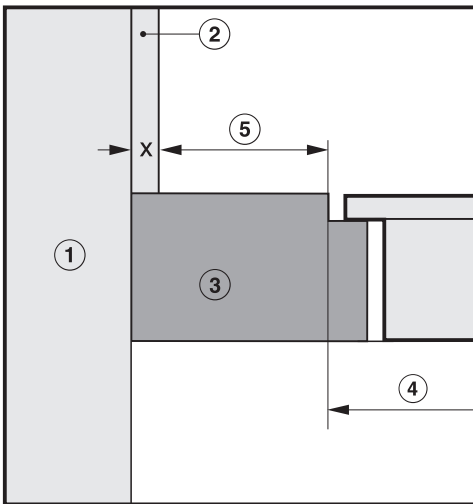
If the covering is made of a **non-combustible material** (e.g. metal, natural stone, ceramic tiles), a minimum safety clearance ⑤ of 50 mm less the thickness of the covering must be maintained between the cut-out and the covering.

Example: 15 mm wall covering

50 mm - 15 mm = 35 mm minimum clearance

Flush-fitted cooktops

Cooktops with frame or beveled edges



① Masonry

② Wall covering

Dimension X = thickness of wall covering

③ Countertop

④ Cut-out in the countertop

⑤ Minimum safety clearance

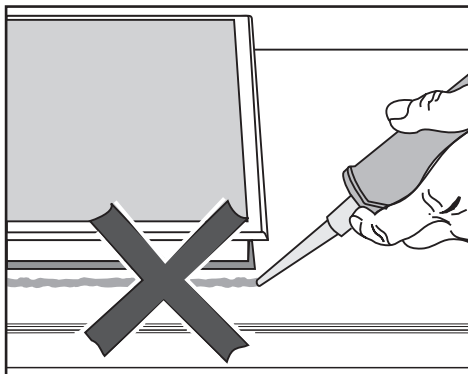
for **combustible materials** is 50 mm

for **non-combustible materials** is 50 mm less dimension X

Safety instructions for installation

Cooktops with frame or bevelled edges

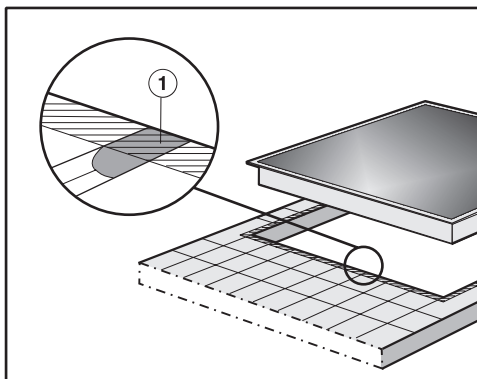
Seal between cooktop and countertop



The sealing strip under the edge of the upper part of the cooktop provides an adequate seal against the countertop.

The cooktop must not be sealed with joint sealant (e.g. silicone).
Cooktop and countertop could get damaged if the cooktop needs to be removed.

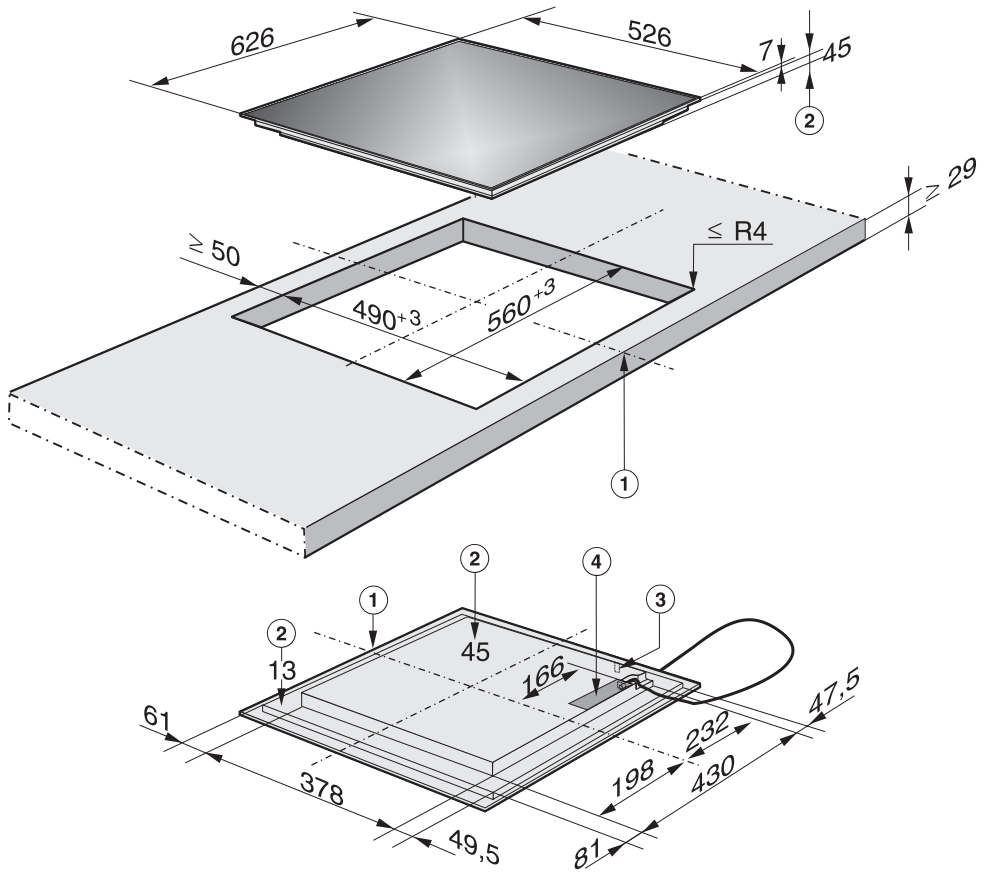
Tiled countertop



The grouting ① and the hatched area below the cooktop frame must be smooth and flat, so that the frame will be level and the sealing strip under the edge of the upper part of the cooktop can provide an adequate seal against the countertop.

Installation dimensions

KM 6310

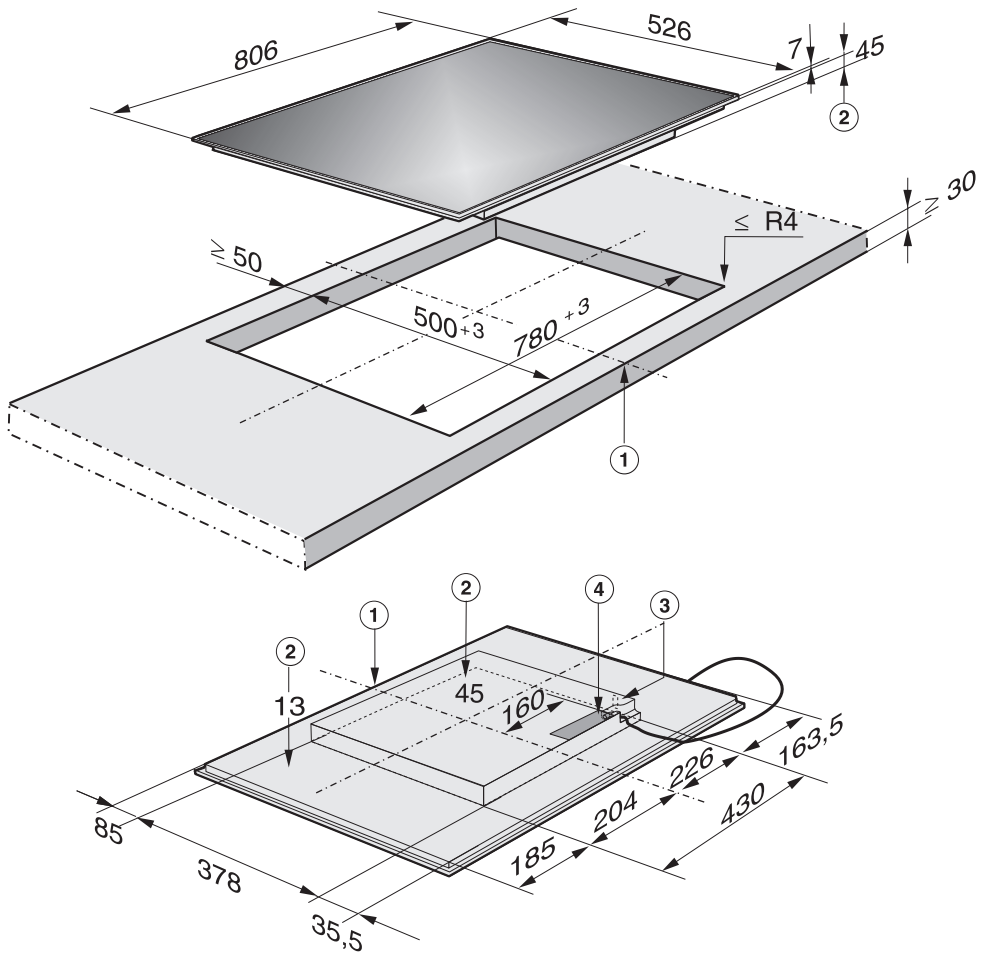


- ① Front
- ② Cooktop height
- ③ Connection for Miele@home
- ④ Electrical box

The connection cable (1440 mm long) comes with the cooktop.

Installation dimensions

KM 6344



- ① Front
- ② Cooktop height
- ③ Connection for Miele@home
- ④ Electrical box

The connection cable (1440 mm long) comes with the cooktop.

Installation

Preparing the countertop

- For the countertop cut-out use the dimensions given in the illustration. Observe the **safety clearances** (see Safety instructions for installation).
- Seal the cut surfaces with a suitable heat-resistant sealant to avoid swelling caused by moisture.

Ensure that the sealant does not get on the top surface of the countertop.

This cooktop has a seal underneath to keep it securely in position. Spring clips are not required. The gap between the frame and the countertop will get smaller over time.

- Follow the instructions in the wiring diagram (see Electrical connection).

Inserting the cooktop

- Feed the power supply cable down through the countertop cut-out.
- Center the cooktop in the cut-out. Make sure that the seal under the cooktop sits flush with the countertop on all sides. This is important to ensure an effective seal. NEVER apply an additional sealant such as silicone!

If the seal at the corners does not lie flush on the worktop, the corner radii $\leq R4$ should be re-worked with a jigsaw.

- Connect the cooktop to the electrical power supply.
- Check that the cooktop is working properly.

Electrical connection

⚠ CAUTION: Before installation or servicing, disconnect the power supply by either removing the fuses, shutting off the power main or manually "tripping" the circuit breakers.

Installation work and repairs should only be performed by a qualified technician in accordance with all applicable codes and standards. Repairs and service by unqualified persons could be dangerous and the manufacturer will not be held responsible.

Before connecting the appliance to the power supply, make sure that the voltage and frequency listed on the data plate correspond with the household electrical supply. This data must correspond to prevent appliance damage. Consult an electrician if in doubt.

Only operate the cooktop after it has been installed into the countertop.

Installer:
Please leave these instructions with the consumer.

Power supply

- Make sure your electrical supply matches the data plate.

Connection

The cooktop is ready for connection to a grounded power supply.

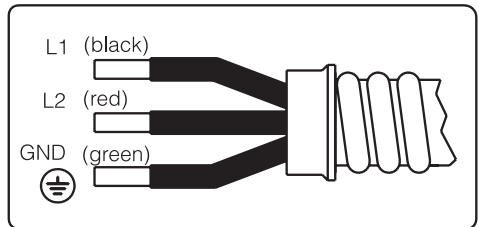
208/240 V, 60 Hz, 40 A fuse rating.

Connect as following:

Black wire: connect to L1 (hot)

Red wire: connect to L2 (hot)

Green wire: connect to GND (ground)



A dedicated line and junction box should be used to connect the cooktop to a 40 A circuit.

For further information, see the wiring diagram provided with the appliance.

⚠ WARNING:
THIS APPLIANCE MUST BE GROUNDED!

Connecting the electrical supply cable

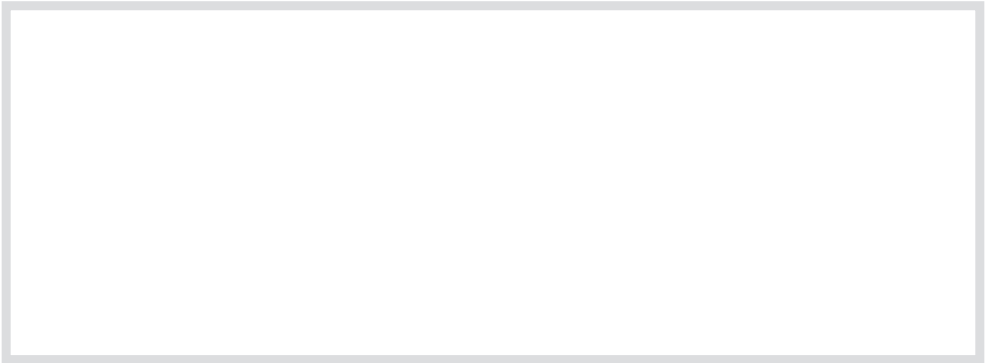
The electric power supply cable must be connected to the cooktop by a qualified electrician.

Technical Service, Data plate

In the event of a fault which you cannot easily fix yourself, please contact the Miele Technical Service Department at the address on the back of this booklet.

When contacting Technical Service please quote the serial number and model of the appliance. This information is visible on the silver data plate supplied with the appliance.

Adhere the included data plate and make sure the model designation matches up details on the cover page of this manual.





Miele Limited

Headquarters and Showroom

161 Four Valley Drive

Vaughan, ON L4K 4V8

Phone: 800-643-5381

Fax: 905-532-2290

www.miele.ca

professional@miele.ca (commercial enquiries)

MieleCare National Service

Phone: 800-565-6435

905-532-2272

Fax: 905-532-2292

customercare@miele.ca (general and technical enquiries)

Germany

Miele & Cie. KG

Carl-Miele-Straße 29

33332 Gütersloh



www.miele-shop.com